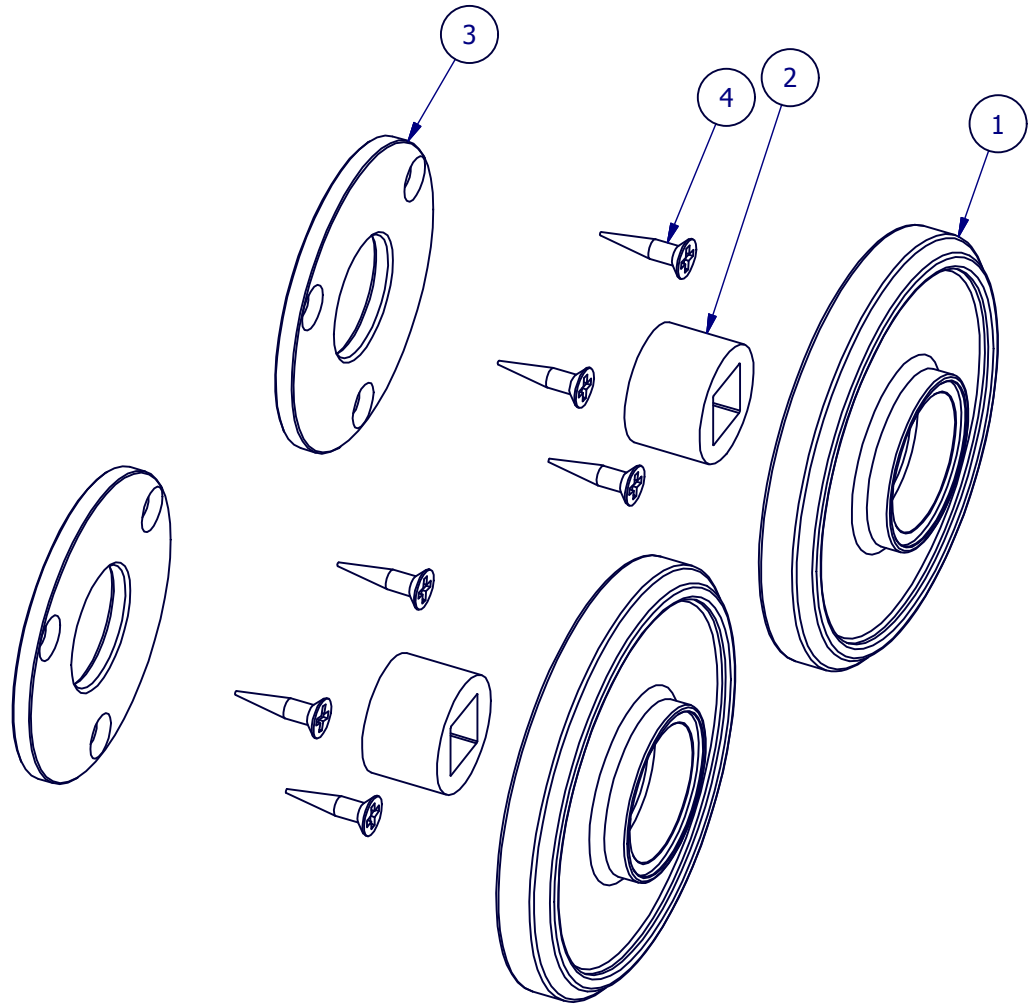


Parts List			
ITEM	QTY	PART NUMBER	DESCRIPTION
1	2	1-9027	ROSE 60mm
2	2	9-1997	SPACER SETTING TOOL
3	2	1-5926	CHASSIS
4	6	9-2201	No.4 X 1/2" CSK ZP POZI TWINS



TOLERANCES UNLESS STATED
 DIMENSIONS ARE IN MILLIMETRES
 SURFACE TEXTURE VALUES ARE IN MICROMETRES
 MACHINE WHERE MARKED ✓

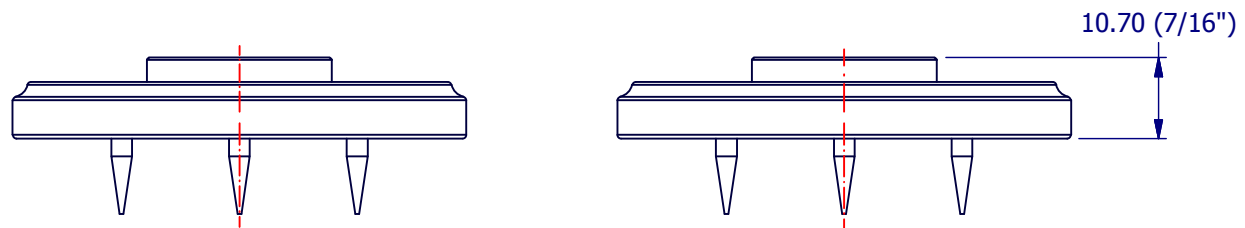
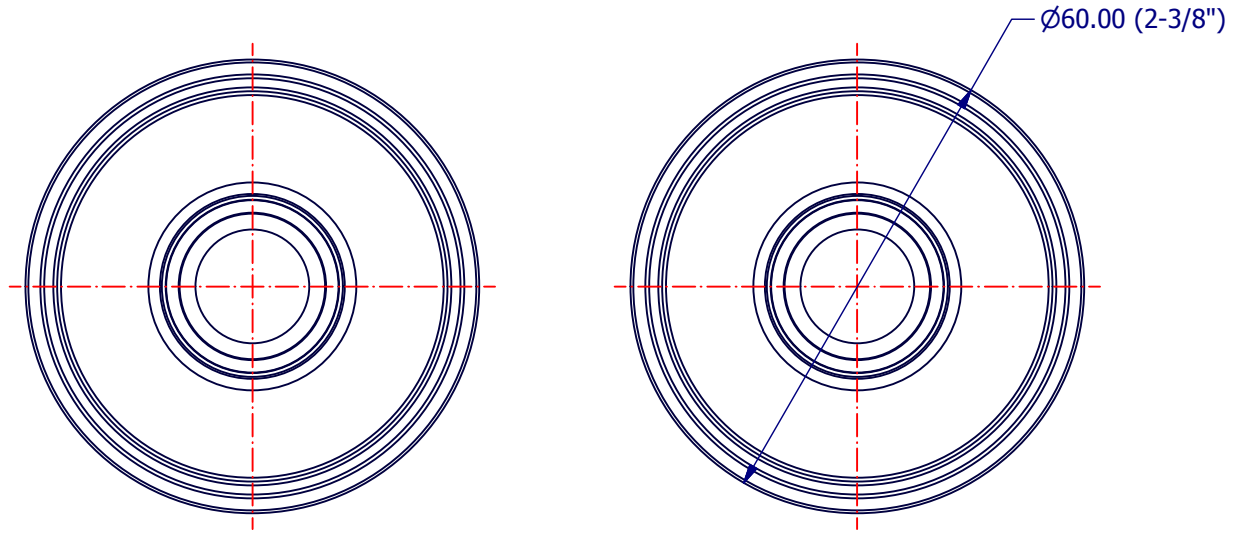
UP TO 6 ± 0.10
 OVER 6 UP TO 30 ± 0.20
 OVER 30 UP TO 120 ± 0.30
 OVER 120 UP TO 315 ± 0.50
 OVER 315 UP TO 1000 ± 0.50
 OVER 1000 UP TO 2000 ± 0.50

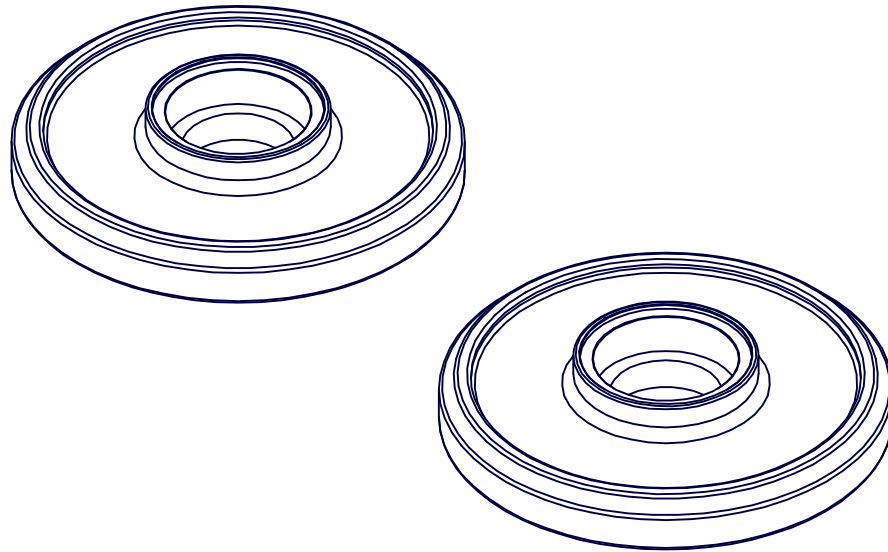
MATERIAL	VARIOUS	SCALE	NTS
BRASS MASS	0.227 kg	DRAWN BY	A.PRICE
TREATMENT		DATE	13.07.15
FINISH	VARIOUS	CHECKED	AD

TITLE:	CONCEALED ROSE SET
PROJECT:	940

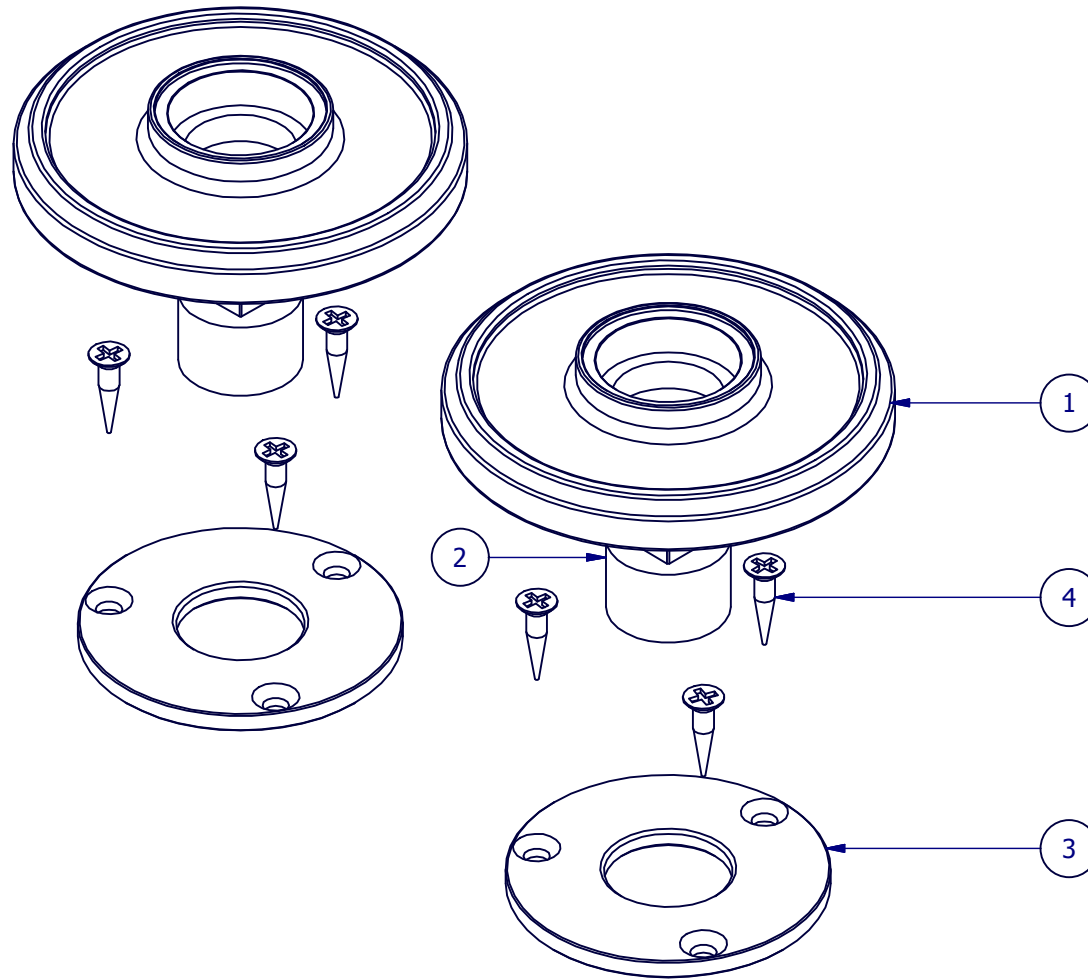


A4	THIRD ANGLE PROJ
ISS DATE	13.07.15
ISS NO	1
SHEET	1
DRG No	P8007-C





PROPERTY OF SAMUEL HEATH ©			DESIGNER	A.PRICE		
A4	DRG No	P8007-C	ISSUE NO.	1	ISSUE DATE	13.07.15



PROPERTY OF SAMUEL HEATH ©			DESIGNER	A.PRICE	
A4	DRG No	P8007-C	ISSUE NO.	1	ISSUE DATE 13.07.15